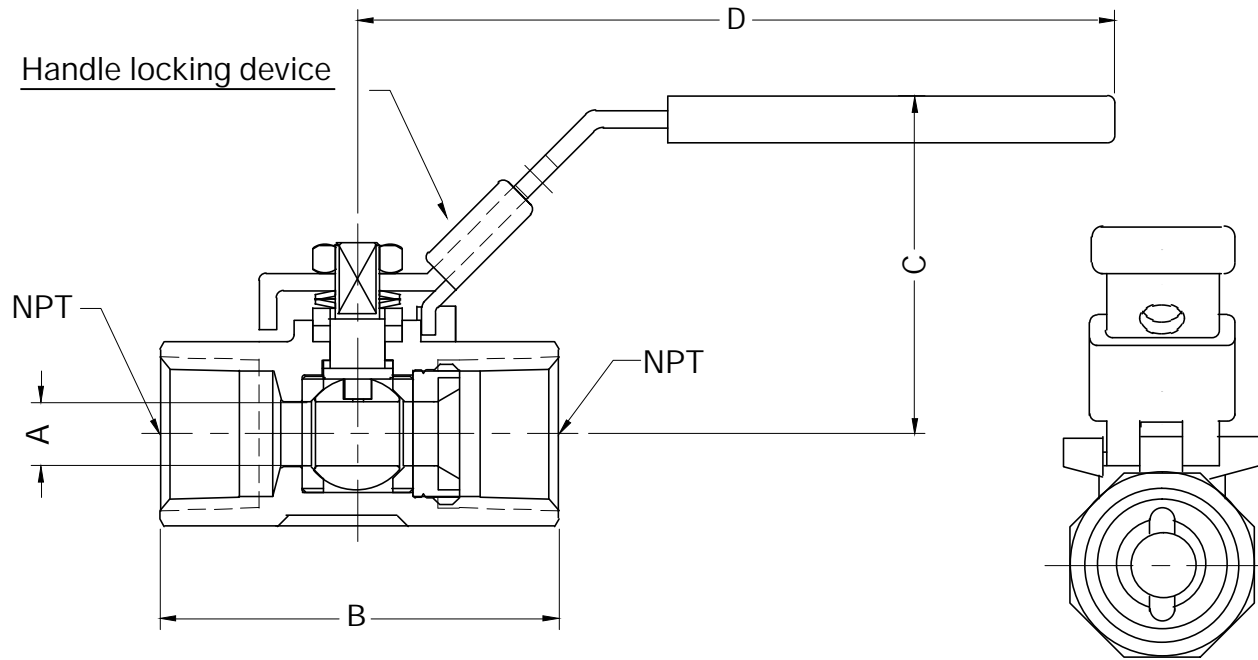


DIMENSIONS (mm)

NPS SIZE	PART NUMBER	BORE SIZE (A)	B	C	D
1/4"	Q2NS	9mm	54.50	50.00	108.00
3/8"	Q3NS	9mm	54.50	50.00	108.00
1/2"	Q4NS	9mm	56.50	50.00	108.00
3/4"	Q6NS	12mm	61.5	52.00	108.00
1"	Q8NS	16mm	74.5	59.00	148.00



MAXIMUM WORKING CONDITIONS

COLD WORKING PRESSURE: 1000 PSI (69 BAR)

TEMPERATURE

MAX 200°C (AT REDUCED PRESSURE)
MIN -29°C

MATERIALS

BODY / INSERT CF8M STAINLESS STEEL
BALL SS316
STEM SS316
HANDLE SS316
GLAND SS316
LOCKNUT SS316
SEATS RTFE
SEALS RTFE

MATERIALS COMPLY TO NACE MR 01-75 LATEST REVISION

NO	DESCRIPTION	ORIG. DIM.	CHANGE DIM.	REVISOR	DATE
1	REV. Ⓐ				10-17-19
2					
3					
4					
5					

UNLESS OTEHRWISE SPECIFIED DIMENSIONS IN MILLIMETRE		
M/C TOLERANCES	CASTING TOLERANCES	
According to the relevant specifications and documentation requirements	UP TO 200mm	±1.0
	OVER 200mm	±2.0
	OVER 600mm	±2.5
	ANGLES	±1.0°

1PC BALL VALVE SCRUD END 1000WOG ASSEMBLY, 1/4"~1"				
DATE		DRAWN		DWG NO.
UNIT	mm	CHECK		REV 1