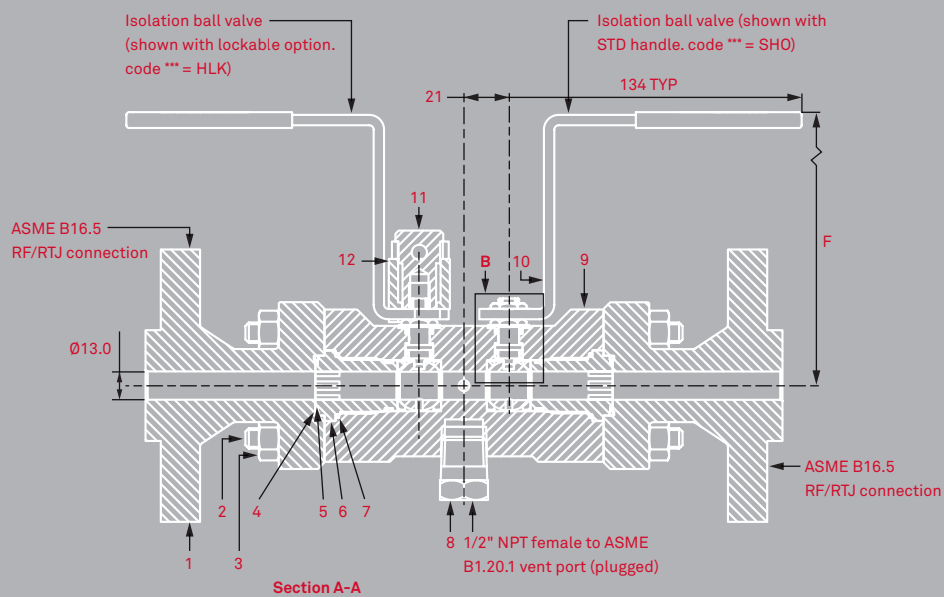
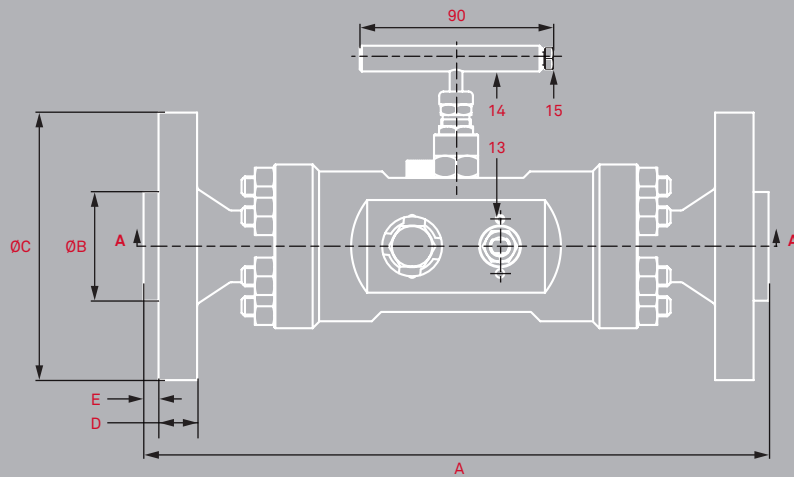
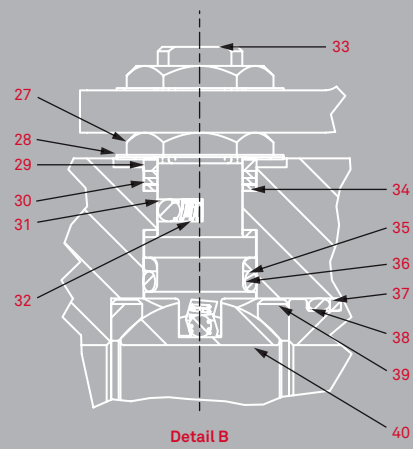
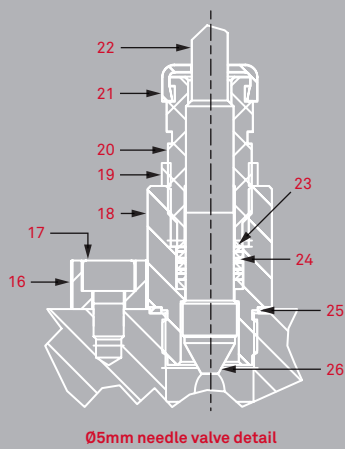
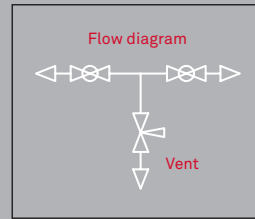
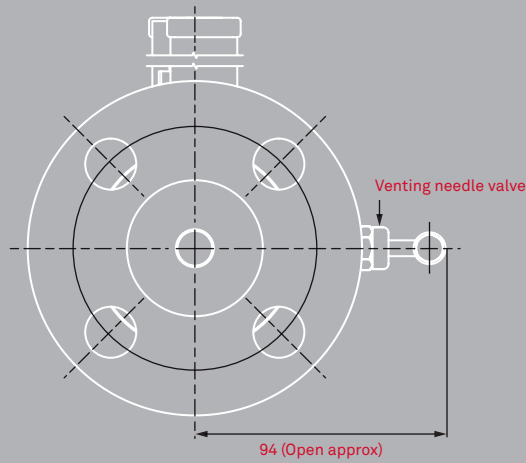


XC Ø13 DBB Valve Manifold

Qualifications

- Fire safe to ISO 10497
- Fugitive emission tight ball valve design
- Class A tight to the CO2 level between -29°C > 40°C at pressure of 431 bar (6250 psi) and below
- Class B tight to the CO1 level between -46°C > 100°C at pressure of 431 bar (6250 psi) and below
- API 6A PR2 qualified ball valve design at class 2500
- Endurance tested to 1200 operational cycles at class 2500 in accordance with API 6A criteria
- Ball valves type Approval Tested in accordance with SPE 77-300 at class 2500 + class 600 between +150°C and -29°C





Components Key

Item No.	Description	Material	Quantity
1	BOLT ON FLANGE	#	2
2	STUD	*	12
3	HEX NUT	*	12
4	BODY SEAL	GRAPHITE	2
5	O-RING	ENDURA V91A	2
6	BODY INSERT	A479 UNS S31803	2
7	BODY SEAL	GRAPHITE	2
8	1/2" N.PT BLANK PLUG	†	1
9	BODY	#	1
10	VALVE HANDLE (3)	UNS S31600	2
11	LOCKING PIN	UNS S31600	1
12	LOCKING COLLAR	UNS S31600	1
13	STOP PIN	UNS S31600	2
14	EXTENDED "T" HANDLE	UNS S31600	1
15	HEX CAP SCREW	A4 ST/ST	1
16	LOCKING CAM	UNS S31600	1
17	SHC SCREW	A4 ST/ST	1
18	BONNET HOUSING	‡	1
19	GLAND LOCKNUT	UNS S31600	1
20	GLAND ADJUSTER	UNS S31600	1

Item No.	Description	Material	Quantity
21	DUST CAP	PVC	1
22	NEEDLE STEM	A479 UNS S31803	1
23	PACKING WASHER	RTFE	2
24	GLAND PACKING	GRAPHITE	3
25	BONNET SEAL	UNS S31600	1
26	NEEDLE VALVE TIP	A479 UNS S31803	1
27	3/8" UNF HALF NUT	A4 ST/ST	3
28	BELLEVILLE WASHER	ST/ST	5
29	SPACER	UNS S31600	2
30	ANTI-EXTRUSION RING	PEEK	4
31	2.5mm BALL	B446 UNS N06625	4
32	ANTI-STATIC SPRING	INCONEL X750	4
33	STEM	A479 UNS S31803	2
34	FIRE SAFE SEAL	GRAPHITE	4
35	BACK-UP RING	PEEK	2
36	O-RING	ENDURA V91A	2
37	BACK-UP RING	PEEK	2
38	O-RING	ENDURA V91A	2
39	SEAT	PEEK	4
40	BALL	A890-CD3MN	2

= BODY/FLANGE MATERIAL (S = F316, L = LF2, U = F51)
 * = BOLTING MATERIAL (S & U = B8M/8MA L = L7M/7M)

† = 1/2" VENT PLUG MATERIAL (S & L = A479 UNS S31600, U = A479 UNS S31803)
 ‡ = BONNET HOUSING MATERIAL (S & L = A479 UNS S31600, U = A479 UNS S31803)

ALCO XC Ø13mm Bore

TABLE 1
RF/RTJ Flange x Flange/NPT

Flange size (in)	Class rating	Part No.	A - RF	A - RTJ	A 1/2" NPT - RF	A 1/2" NPT - RTJ	ØB - RF	ØB - RTJ	ØC	D	E - RF	E - RTJ	F	Nominal Mass (kg)
1/2"	150	XC-13#-04AR‡04AR‡-B*-***	270	N/A	265	N/A	34.9	N/A	90	10.1	2.0	N/A	90	7
1/2"	300	XC-13#-04BR‡04BR‡-B*-***	276	282	268	271	34.9	51.1	95	13.2	2.0	5.5	90	8
1/2"	600	XC-13#-04CR‡04CR‡-B*-***	288	286	274	273	34.9	51.1	95	14.8	7.0	5.5	90	8
1/2"	900/1500	XC-13#-04ER‡04ER‡-B*-***	322	320	291	290	34.9	60.6	120	22.8	7.0	6.4	125	10
1/2"	2500	XC-13#-04FR‡04FR‡-B*-***	324	322	292	291	34.9	65.1	135	30.7	7.0	6.4	125	13
3/4"	150	XC-13#-06AR‡06AR‡-B*-***	272	N/A	266	N/A	42.9	N/A	100	11.7	2.0	N/A	90	8
3/4"	300	XC-13#-06BR‡06BR‡-B*-***	288	296	274	278	42.9	63.6	115	14.8	2.0	6.4	125	9
3/4"	600	XC-13#-06CR‡06CR‡-B*-***	300	298	280	279	42.9	63.6	115	16.4	7.0	6.4	125	9
3/4"	900/1500	XC-13#-06ER‡06ER‡-B*-***	324	322	292	291	42.9	66.6	130	25.9	7.0	6.4	125	11
3/4"	2500	XC-13#-06FR‡06FR‡-B*-***	328	326	294	293	42.9	73.1	140	32.3	7.0	6.4	125	14
1"	150	XC-13#-08AR‡08AR‡-B*-***	276	284	268	272	50.8	63.6	110	13.2	2.0	6.4	125	8
1"	300	XC-13#-08BR‡08BR‡-B*-***	278	286	269	273	50.8	70.1	125	16.4	2.0	6.4	125	9
1"	600	XC-13#-08CR‡08CR‡-B*-***	292	290	276	275	50.8	70.1	125	18.0	7.0	6.4	125	10
1"	900/1500	XC-13#-08ER‡08ER‡-B*-***	324	322	292	291	50.8	71.6	150	29.1	7.0	6.4	125	14
1"	2500	XC-13#-08FR‡08FR‡-B*-***	336	336	298	298	50.8	82.6	160	35.5	7.0	6.4	125	17
1 1/2"	150	XC-13#-12AR‡12AR‡-B*-***	272	280	266	270	73.0	82.6	125	16.4	2.0	6.4	125	9
1 1/2"	300	XC-13#-12BR‡12BR‡-B*-***	292	300	276	280	73.0	90.6	155	19.6	2.0	6.4	125	12
1 1/2"	600	XC-13#-12CR‡12CR‡-B*-***	308	306	284	283	73.0	90.6	155	22.8	7.0	6.4	125	13
1 1/2"	900/1500	XC-13#-12ER‡12ER‡-B*-***	336	334	298	297	73.0	92.1	180	32.3	7.0	6.4	125	19
1 1/2"	2500	XC-13#-12FR‡12FR‡-B*-***	340	342	300	301	73.0	114.1	205	45.0	7.0	7.9	160	28
2"	150	XC-13#-16AR‡16AR‡-B*-***	272	280	266	270	92.1	102.1	150	18.0	2.0	6.4	125	11
2"	300	XC-13#-16BR‡16BR‡-B*-***	278	290	269	275	92.1	108.1	165	21.2	2.0	7.9	125	13
2"	600	XC-13#-16CR‡16CR‡-B*-***	298	300	279	280	92.1	108.1	165	25.9	7.0	7.9	125	15
2"	900/1500	XC-13#-16ER‡16ER‡-B*-***	322	324	291	292	92.1	124.1	215	38.6	7.0	7.9	160	27
2"	2500	XC-13#-16FR‡16FR‡-B*-***	348	350	304	305	92.1	133.1	235	51.4	7.0	7.9	160	38

Configuration Metric / mm

= BODY/FLANGE MATERIAL (S=F316, L=LF2, U=F51)
* = BOLTING MATERIAL (2FC=L7M, 8ST=B8M)

‡ = FLANGE TYPE (F=RF, J=RTJ)
*** = HANDLE OPTIONS (SHO=STANDARD, HLK=HANDLE LOCKABLE)

TABLE 2

Flange x NPT	NPT CONFIGURATIONS
XC-13#-04AR‡##02-B*-***	*PLEASE NOTE: PART CODES VARY
XC-13#-04BR‡##02-B*-***	DEPENDING ON THE CONFIGURATION OF THE VALVE. AS SHOWN TO THE LEFT.

= NPT SIZE (03=3/8", 04=1/2", 06=3/4", 08=1")

TABLE 3

Size	RF	RTJ
3/8"	-26	-26
3/4"	+6	+6
1"	+16	+16

IN ORDER TO OBTAIN OVERALL LENGTH VALUES (A) FOR 3/8", 3/4" AND 1" NPT CONNECTIONS, THE VALUES IN **TABLE 3** NEED TO BE ADDED OR SUBTRACTED FROM THE OVERALL LENGTH (A). FOR EXAMPLE, TO CALCULATE THE OVERALL LENGTH FOR AN **RF FLANGE x 3/8" FEMALE NPT** WE SUBTRACT 26 FROM THE 1/2" NPT - RF VALUES IN **TABLE 1**.