

U2VG Series Needle Manifold

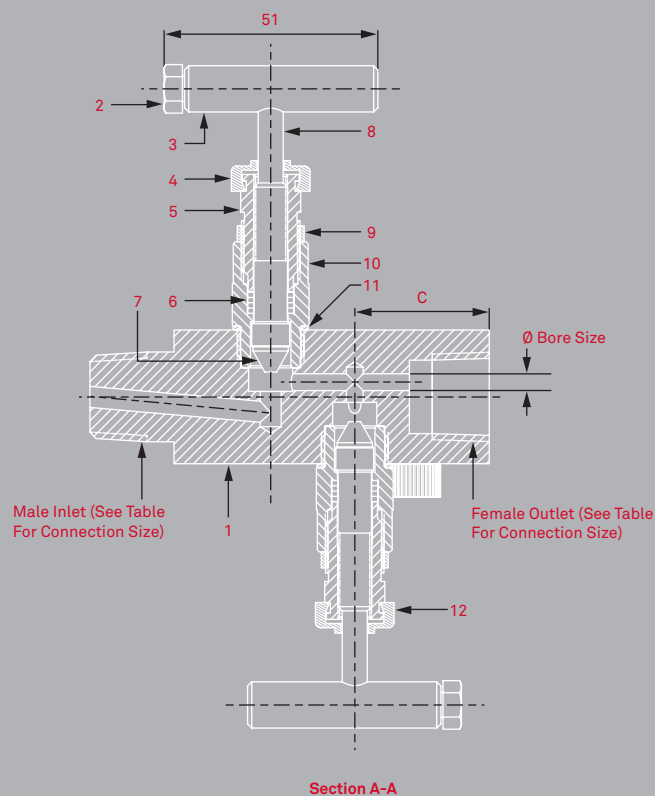
Overview

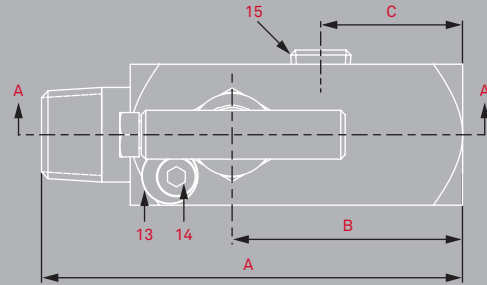
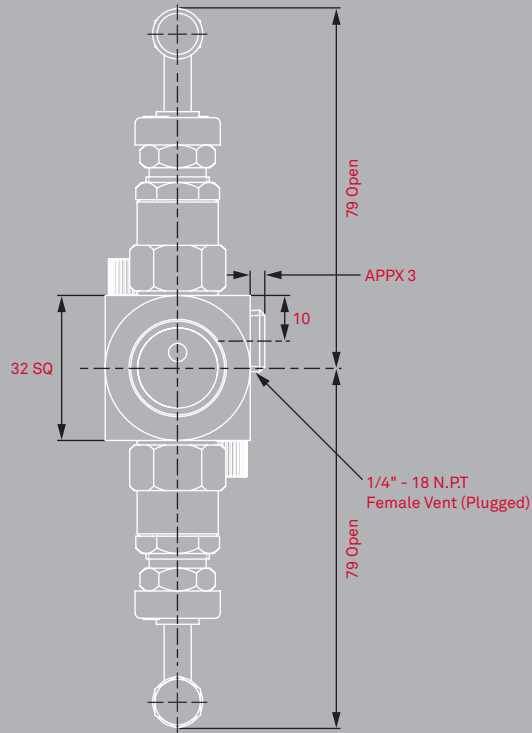
2 Valve Needle Manifold 10,000 PSI

The U2VG series 2 valve gauge manifold offering single process isolation and controlled venting. Unlike the 'U2VR' series, this can be offered with male inlet and female outlet connections. A slim-line and compact 2 valve manifold. Incorporated are all the standard long service life features of the standard 'N' series needle valve, multi-ring piston style packing and back sealing facility.

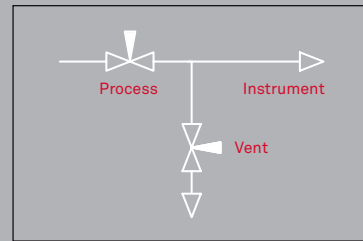
Design Features

- All valves have 2-piece non-rotating hardened (17-4PH) tips as standard, for bubble tight shut off and long service life
- Positive no slack stem action
- Unique bonnet anti-rotational cam device
- Metal to metal body bonnet seal for high pressure and high temperature sealing
- Ingress seals fitted as standard
- Temperature range -40°C to 230°C
- Repair/service kits available to extend service life further
- Available in 316/316L
- Full material traceability
- Materials of construction supplied to meet the requirements of NACE MR 0175





Flow Diagram



Components Key

Item No.	Description	Material	Quantity
1	NEEDLE BODY	A479 UNS S31600	1
2	HANDLE BOLT	A4 ST/ST	2
3	"T" HANDLE	UNS S31600	2
4	ISOLATE DUST CAP	PVC	1
5	GLAND ADJUSTER	UNS S31600	2
6	PACKING	RTFE	8
7	VALVE TIP	A564 UNS S17400	2
8	NEEDLE STEM	A479 UNS S31600	2
9	GLAND LOCKNUT	UNS S31600	2
10	BONNET HOUSING	A479 UNS S31600	2
11	INGRESS SEAL	VITON	2
12	VENT DUST CAP	PVC	1
13	LOCKING CAM	UNS S31600	2
14	CAM SCREW	A4 ST/ST	2
15	BLANK PLUG	A479 UNS S31600	1

Dimensions shown are in metric mm

Part no.	Inlet size	Outlet size	A	B	Bore	C	CV	Weight
U2VG4NS	1/2" NPT	1/2" NPT	95	52	4	32	0.6	0.83 Kg
U2VG4NS-16MN	3/4" NPT	1/2" NPT	95	52	3	32	0.38	0.89 Kg

U2VG FxF Series Needle Manifold

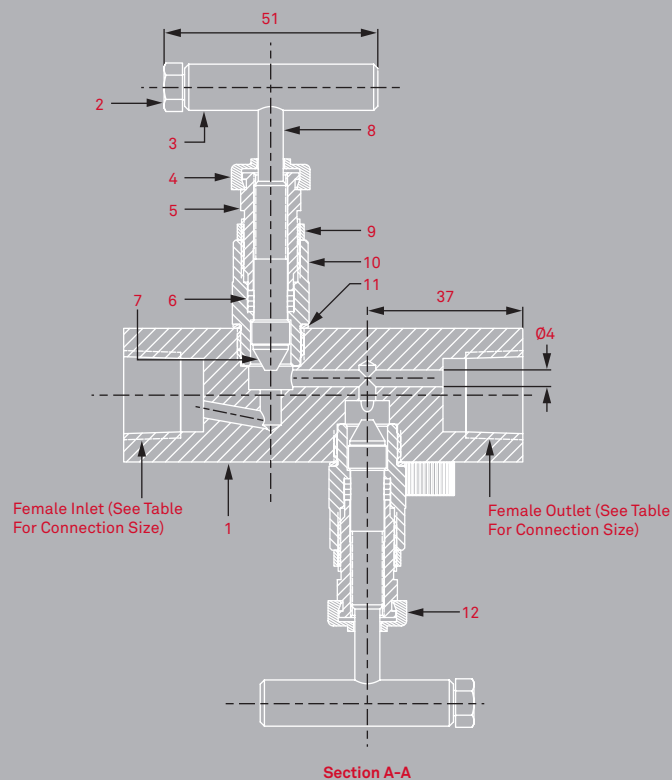
Overview

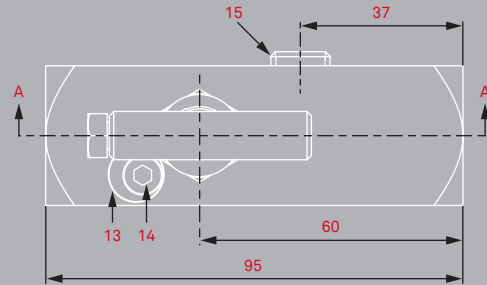
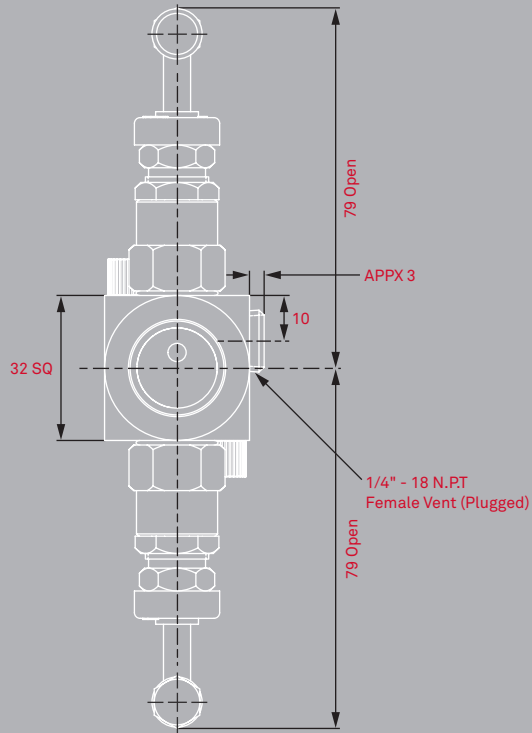
2 Valve Needle Manifold 10,000 PSI

The U2VG series 2 valve gauge manifold offering single process isolation and controlled venting. Unlike the 'U2VR' series, this can be offered with male inlet and female outlet connections. A slim-line and compact 2 valve manifold. Incorporated are all the standard long service life features of the standard 'N' series needle valve, multi-ring piston style packing and back sealing facility.

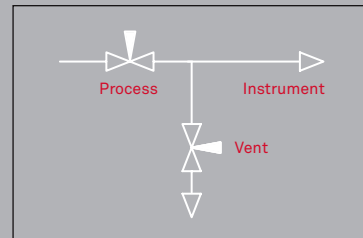
Design Features

- All valves have 2-piece non-rotating hardened (17-4PH) tips as standard, for bubble tight shut off and long service life
- Positive no slack stem action
- Unique bonnet anti-rotational cam device
- Metal to metal body bonnet seal for high pressure and high temperature sealing
- Ingress seals fitted as standard
- Temperature range -40°C to 230°C
- Repair/service kits available to extend service life further
- Available in 316/316L
- Full material traceability
- Materials of construction supplied to meet the requirements of NACE MR 0175





Flow Diagram



Components Key

Item No.	Description	Material	Quantity
1	NEEDLE BODY	A479 UNS S31600	1
2	HANDLE BOLT	A4 ST/ST	2
3	"T" HANDLE	UNS S31600	2
4	ISOLATE DUST CAP	PVC	1
5	GLAND ADJUSTER	UNS S31600	2
6	PACKING	RTFE	8
7	VALVE TIP	A564 UNS S17400	2
8	NEEDLE STEM	A479 UNS S31600	2
9	GLAND LOCKNUT	UNS S31600	2
10	BONNET HOUSING	A479 UNS S31600	2
11	INGRESS SEAL	VITON	2
12	VENT DUST CAP	PVC	1
13	LOCKING CAM	UNS S31600	2
14	CAM SCREW	A4 ST/ST	2
15	BLANK PLUG	A479 UNS S31600	1

Dimensions shown are in metric mm

Part no.	Connection size	Bore	CV	Weight
U2VG4NS-F	1/2" NPT	0.6	0.6	0.83 Kg

U2VG FxM Series Needle Manifold

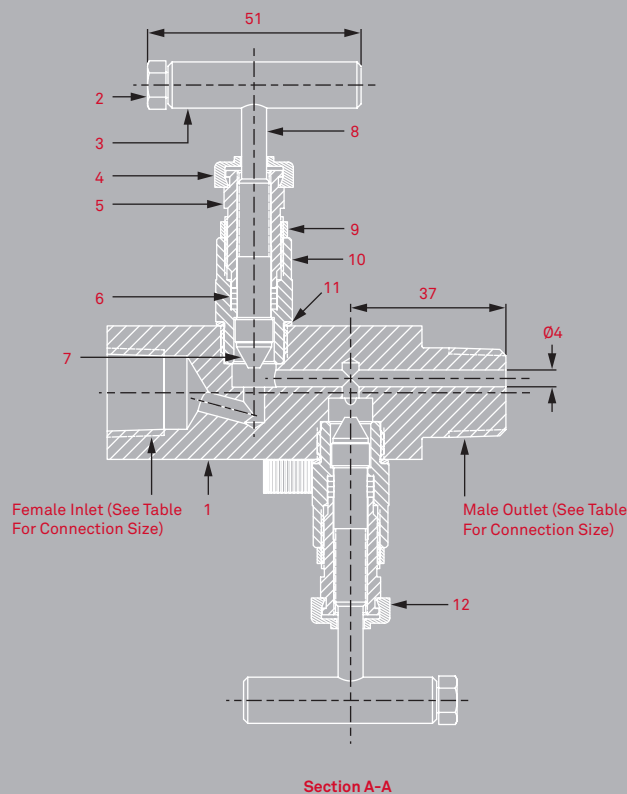
Overview

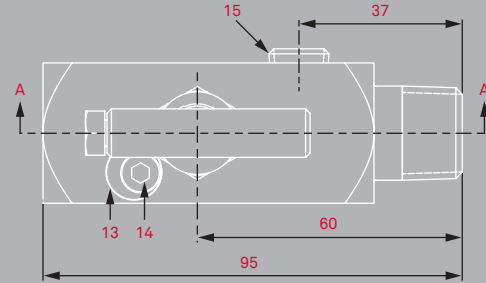
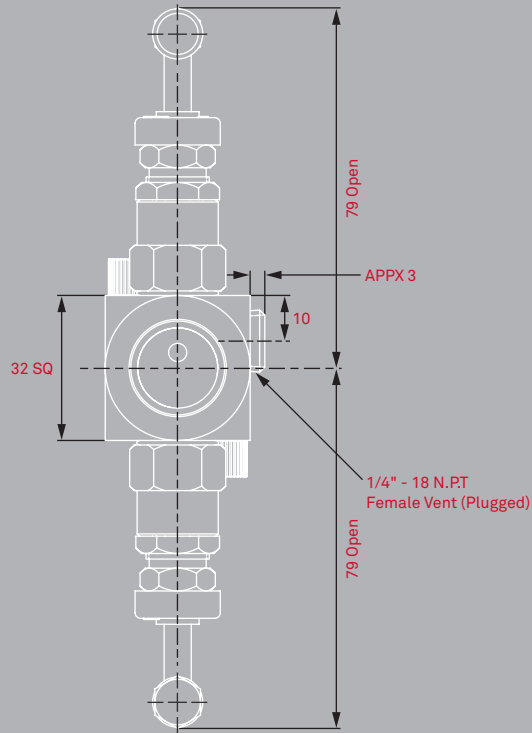
2 Valve Needle Manifold 10,000 PSI

The U2VG series 2 valve gauge manifold offering single process isolation and controlled venting. Unlike the 'U2VR' series, this can be offered with male inlet and female outlet connections. A slim-line and compact 2 valve manifold. Incorporated are all the standard long service life features of the standard 'N' series needle valve, multi-ring piston style packing and back sealing facility.

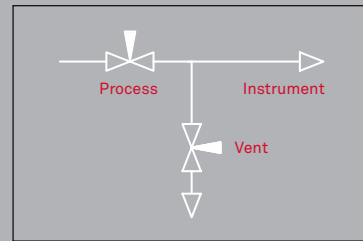
Design Features

- All valves have 2-piece non-rotating hardened (17-4PH) tips as standard, for bubble tight shut off and long service life
- Positive no slack stem action
- Unique bonnet anti-rotational cam device
- Metal to metal body bonnet seal for high pressure and high temperature sealing
- Ingress seals fitted as standard
- Temperature range -40°C to 230°C
- Repair/service kits available to extend service life further
- Available in 316/316L
- Full material traceability
- Materials of construction supplied to meet the requirements of NACE MR 0175





Flow Diagram



Components Key

Item No.	Description	Material	Quantity
1	NEEDLE BODY	A479 UNS S31600	1
2	HANDLE BOLT	A4 ST/ST	2
3	"T" HANDLE	UNS S31600	2
4	ISOLATE DUST CAP	PVC	1
5	GLAND ADJUSTER	UNS S31600	2
6	PACKING	RTFE	8
7	VALVE TIP	A564 UNS S17400	2
8	NEEDLE STEM	A479 UNS S31600	2
9	GLAND LOCKNUT	UNS S31600	2
10	BONNET HOUSING	A479 UNS S31600	2
11	INGRESS SEAL	VITON	2
12	VENT DUST CAP	PVC	1
13	LOCKING CAM	UNS S31600	2
14	CAM SCREW	A4 ST/ST	2
15	BLANK PLUG	A479 UNS S31600	1

Dimensions shown are in metric mm

Part no.	Connection size	Bore	CV	Weight
U2VG4FNS-1M	1/2" NPT	0.6	0.6	0.83 Kg