

DBB 'B' Series Manifold

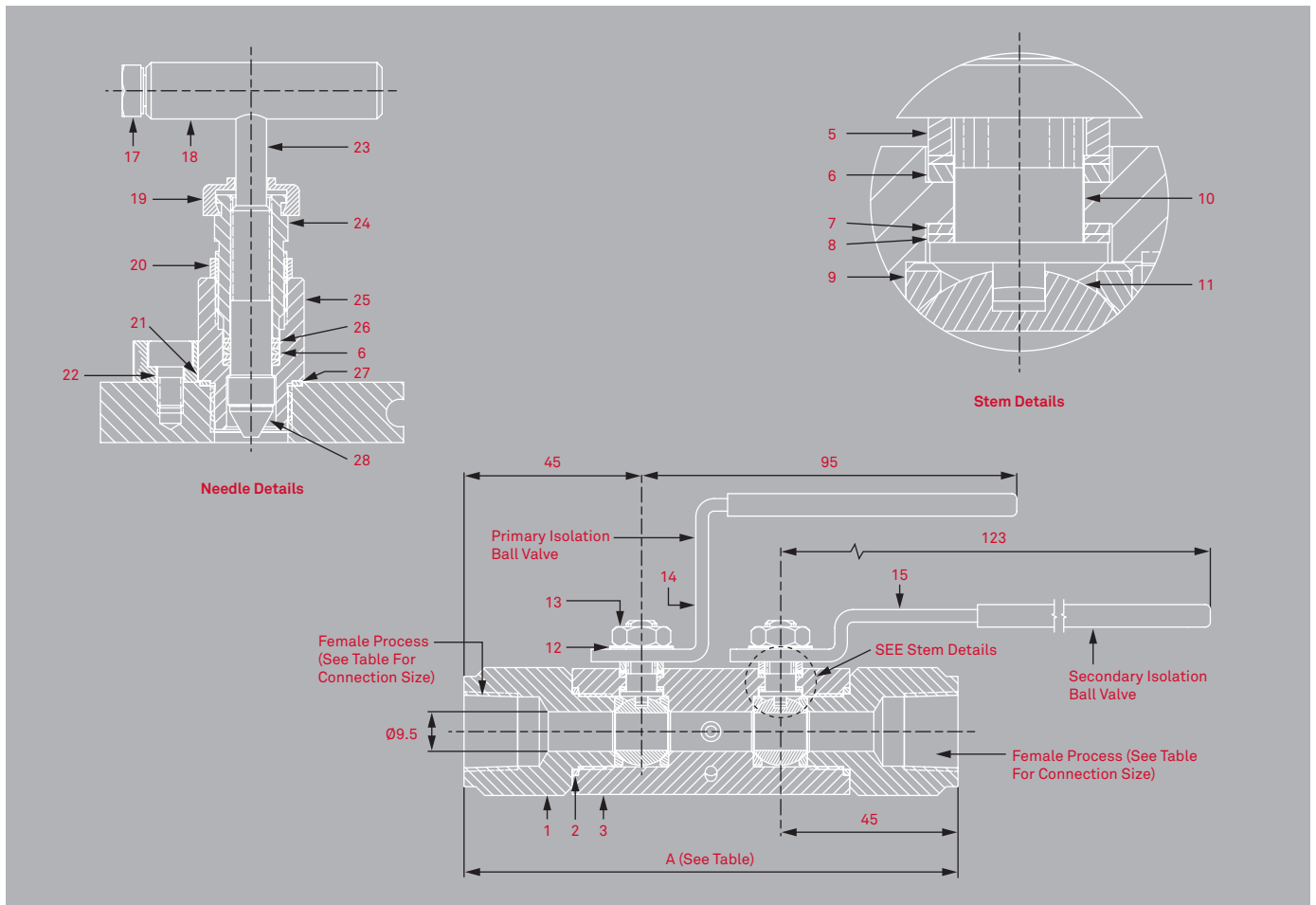
Overview

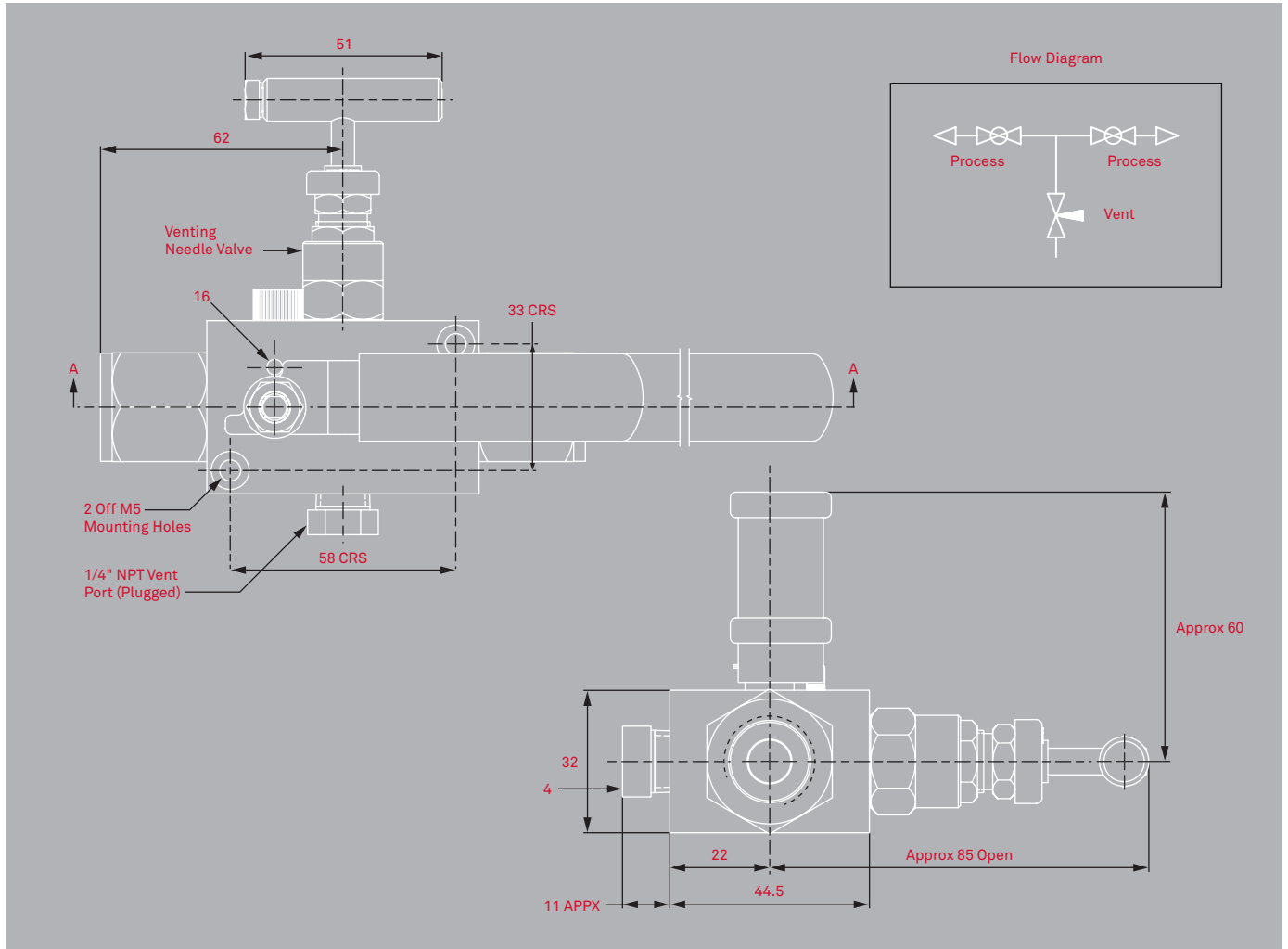
Double Block & Bleed (Ball, Needle, Ball) 6,000 PSI

The Double Block & Bleed Manifold is fully approved to be supplied to many of the world's oil majors. The design provides an economical method for mounting gauges with facility to test and calibrate gauges and pressure switches. The DBB 'B' series offers roddability due to its straight through flow passage. The vent valve incorporating the long service firesafe 'N' series needle valve, graphite multi-ring piston style packing and back sealing facility. Mounting holes supplied as standard for wall or bracket mounting.

Design Features

- Bi-directional floating ball design to ensure leak-proof shut-off on pressure or vacuum
- 90° smooth action, low torque operation
- Vent valve metal to metal body bonnet seal for high pressure and high temperature sealing
- Anti-blowout internally loaded stem for extra safety
- Flexible 3 piece design for easy maintenance
- Temperature range -40°C to 150°C
- Firesafe design
- Repair/service kits available to extend service life further
- Available in 316/316L
- Full material traceability
- Handle indicates OPEN/CLOSED position at a glance
- Materials of construction supplied to meet the requirements of NACE MR 0175





Item No.	Description	Material	Quantity
1	END CONNECTOR	A479 UNS S31600	2
2	BODY SEAL	GRAPHITE	2
3	MANIFOLD BODY	A479 UNS S31600	1
4	1/4" NPT BLANK PLUG	A479 UNS S31600	1
5	SPACER	UNS S31600	2
6	GLAND PACKING	GRAPHITE	6
7	GLAND PACKING	GRAPHITE	2
8	ANTI-EXTRUSION SEAL	PEEK	4
9	SEAT	PVDF	4
10	STEM	A479 UNS S31600	2
11	BALL	A479 UNS S31600	2
12	BELLEVILLE WASHER	ST/ST	4
13	STEM NUT	A4 ST/ST	2
14	VALVE HANDLE (2)	UNS S31600	1
15	VALVE HANDLE (1)	UNS S31600	1
16	STOP PIN	UNS S31600	2
17	M6 HANDLE BOLT	A4 ST/ST	1
18	"T" HANDLE	UNS S31600	1
19	VENT DUST CAP	PVC	1
20	GLAND LOCKNUT	UNS S31600	1
21	LOCKING CAM	UNS S31600	1
22	CAM SCREW	A4 ST/ST	1
23	NEEDLE STEM	A479 UNS S31600	1
24	GLAND ADJUSTER	UNS S31600	1
25	BONNET HOUSING	A479 UNS S31600	1
26	STEM SEAL	RTFE	1
27	BONNET SEAL	UNS S31600	1
28	VALVE TIP	A564 UNS S17400	1

Components Key

Part no.	Connection size	A	CV	Weight
EDBB-BNB-BV4NS-PM-FS	1/2" NPT	125	13.9	1.25Kg