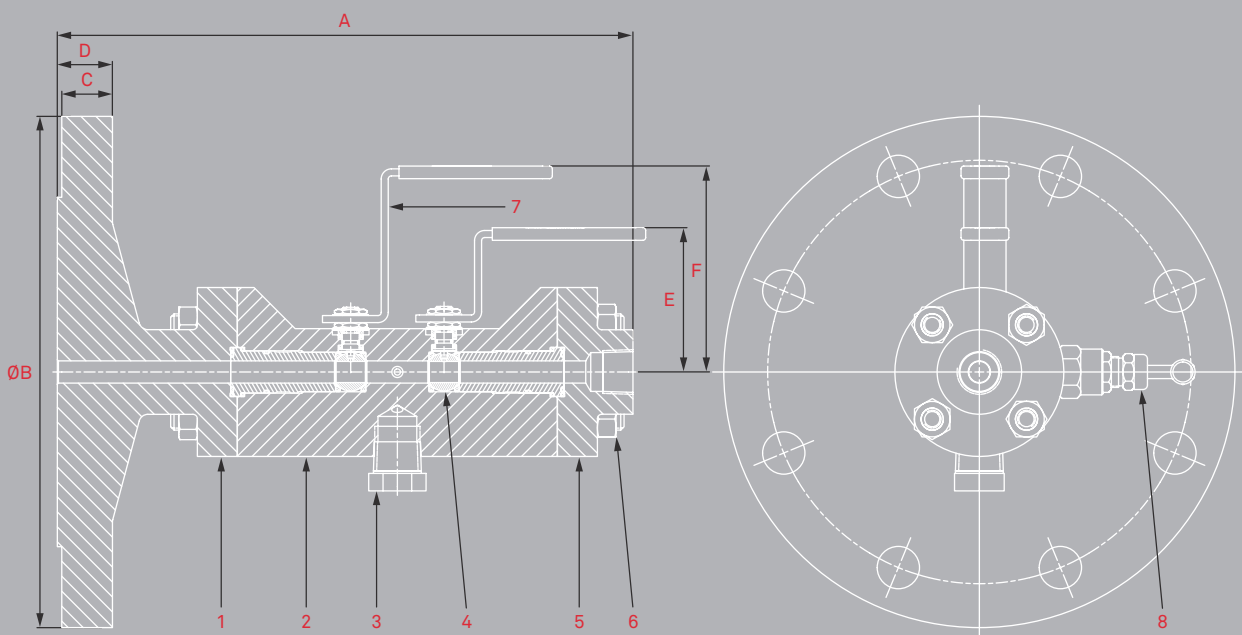


V Series Flange x Screw 3 Piece

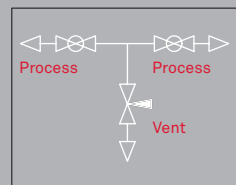
Technical Spec

Double block and bleed bar stock body cartridge valve manifold with interchangeable flanges, utilising both soft seat and metal to metal seat, with bonnet to body connection for superior, bubble tight sealing capabilities at both high pressures and temperatures.

The BVV type valve offers a Ball, Needle, Ball configuration. Flanged connections and a threaded female vent port. This series offers working pressures of up to ASME B16.5 class 2500 or API 6A 10,000 psi with a maximum working temperature of up to 200°C.



- 1 Bolt on Flange Connection
- 2 Valve Body
- 3 Blank Plug (optional)
- 4 Isolation Ball Valve
- 5 Bolt on Threaded Connection
- 6 Fasteners
- 7 Valve Handle
- 8 Screwed Needle Valve



Flow Diagram

Valve Construction

Options

Flange/Inlet †	Outlet †	Vented Port Thread †	Vent Port †	Needle Valve
Raised Face	NPT	NPT	Plugged	Standard Needle
Flat Face	BSPP	BSPP	Unplugged	Anti-Tamper Needle
Ring Type Joint	BSPT	BSPT	Safety Vent Plug	OS&Y Needle
				Lockable OS&Y Needle

† Other options can be supplied upon request.



Temp. Range
-46°C > 200°C †



Pressure Rating
ASME Class 150 - 2500



Flange Sizes
ASME B16.5 1/2" - 3" †



Compliance
NACE MR - 01 - 75



Flow Direction
Bi-directional

† Actual maximum working temperature is dependent on valve service conditions; please contact for more information.

Design Features

- Standard configuration body with interchangeable process connections
- Option of flanged, threaded and butt-welded connections amongst others
- Bore sizes from 10mm up to 50mm
- Pressure rated up to ASME B16.5 class 2500 and API 6A 10,000 psi
- Double block and bleed configuration
- Range of Bolting Grades can be supplied, with coatings available
- Materials available include: ASTM A182 F316 Stainless Steel, ASTM A182 F51/55 Duplex & Super Duplex, and ASTM B564 UNS N06625 Inconel amongst others
- Lockable and Anti-tamper devices available
- Fire safe design
- Choice of venting valve design

Pressure Testing

All our Valves are tested thoroughly. We offer a wide range of testing options due to our variety of in-house testing equipment. Standard Hydro-body, Hydro-seat and Gas seat testing is carried out to API 598 and API 6A, with permissible leakage to ISO 5208. However other standards can be adhered to should it be required, including but not limited to PR2, ISO 15848, MESC SPE 77/300 and MESC SPE 77/312. Please speak to our Sales team with regards to your testing requirements and we will be happy to advise.

Non-Destructive Testing/Examination Options

- DPI
- MPI
- Ultrasonic
- Hardness Testing
- Radiography

Data Table

For further information regarding this range, please see the V Series Flange x Screw 3 Piece product data table at the back of this brochure.

V Series Flange x Screw Product Type

10MM V SERIES THREE PIECE RF/RTJ FLANGE X 1/2" NPT FEMALE

	Size	Rating	Valve Part No.	A RF (mm)	A RTJ (mm)	ØB (mm)	C (mm)	D RF (mm)	D RTJ (mm)	E (mm)	F (mm)	Nominal weight
Metric / mm	1/2"	150	D1VB84N#-4AR (4AJ)	279	N/A	90	10.1	12.1	N/A	92	120	7
	1/2"	300	D1VB84N#-4BR (4BJ)	285	292	95	13.2	15.2	19.6	92	120	8
	1/2"	600	D1VB84N#-4CR (4CJ)	298	298	95	14.8	21.8	21.2	92	120	8
	1/2"	900/1500	D1VB84N#-4ER (4EJ)	331	331	120	22.8	29.8	29.2	92	120	10
	1/2"	2500	D1VB84N#-4FR (4FJ)	348	348	135	30.7	37.7	N/A	92	120	13
	3/4"	150	D1VB84N#-6AR (6AJ)	282	N/A	100	11.7	13.7	18.1	92	120	8
	3/4"	300	D1VB84N#-6BR (6BJ)	296	305	115	14.8	16.8	21.2	92	120	9
	3/4"	600	D1VB84N#-6CR (6CJ)	309	309	115	16.4	23.4	22.8	92	120	9
	3/4"	900/1500	D1VB84N#-6ER (6EJ)	337	337	130	25.9	32.9	32.3	92	120	12
	3/4"	2500	D1VB84N#-6FR (6FJ)	350	350	140	32.3	39.3	38.7	92	120	14
	1"	150	D1VB84N#-8AR (8AJ)	285	294	110	13.2	15.2	19.6	92	120	8
	1"	300	D1VB84N#-8BR (8BJ)	299	308	125	16.4	18.4	22.8	92	120	10
	1"	600	D1VB84N#-8CR (8CJ)	312	312	125	18.0	25.0	24.4	92	120	10
	1"	900/1500	D1VB84N#-8ER (8EJ)	342	342	150	29.1	36.1	35.5	92	120	14
	1"	2500	D1VB84N#-8FR (8FJ)	366	366	160	35.5	42.5	41.9	92	120	17
	1 1/2"	150	D1VB84N#-12AR (12AJ)	291	300	125	16.4	18.4	22.8	120	148	10
	1 1/2"	300	D1VB84N#-12BR (12BJ)	314	323	155	19.6	21.6	26.0	120	148	12
	1 1/2"	600	D1VB84N#-12CR (12CJ)	331	331	155	22.8	29.8	29.2	120	148	14
	1 1/2"	900/1500	D1VB84N#-12ER (12EJ)	365	365	180	32.3	39.3	38.7	120	148	19
	1 1/2"	2500	D1VB84N#-12FR (12FJ)	342	342	205	45.0	52.0	52.9	148	178	28
2"	150	D1VB84N#-16AR (16AJ)	302	311	150	18.0	20.0	24.4	120	148	12	
2"	300	D1VB84N#-16BR (16BJ)	284	293	165	21.2	23.2	29.1	120	148	13	
2"	600	D1VB84N#-16CR (16CJ)	303	303	165	25.9	32.9	33.8	120	148	15	
2"	900/1500	D1VB84N#-16ER (16EJ)	329	329	215	38.6	45.6	46.5	148	178	27	
2"	2500	D1VB84N#-16FR (16FJ)	354	354	235	51.4	58.4	59.3	148	178	38	

V Series Flange x Screw Product Type (cont'd)

13MM V SERIES THREE PIECE RF/RTJ FLANGE X 1/2" NPT FEMALE

	Size	Rating	Valve Part No.	A RF (mm)	A RTJ (mm)	ØB (mm)	C (mm)	D RF (mm)	D RTJ (mm)	E (mm)	Nominal weight
Metric / mm	1/2"	150	13D1VB84N#-4AR (4AJ)	287	N/A	90	10.1	12.1	N/A	91	10
	1/2"	300	13D1VB84N#-4BR (4BJ)	293	302	95	13.2	15.2	19.6	91	10
	1/2"	600	13D1VB84N#-4CR (4CJ)	306	306	95	14.8	21.8	21.2	91	10
	1/2"	900/1500	13D1VB84N#-4ER (4EJ)	339	339	120	22.8	29.8	29.2	126	13
	1/2"	2500	13D1VB84N#-4FR (4FJ)	355	355	135	30.7	37.7	37.1	126	15
	3/4"	150	13D1VB84N#-6AR (6AJ)	290	N/A	100	11.7	13.7	N/A	91	10
	3/4"	300	13D1VB84N#-6BR (6BJ)	304	312	115	14.8	16.8	21.2	126	11
	3/4"	600	13D1VB84N#-6CR (6CJ)	317	317	115	16.4	23.4	22.8	126	11
	3/4"	900/1500	13D1VB84N#-6ER (6EJ)	345	345	130	25.9	32.9	32.3	126	14
	3/4"	2500	13D1VB84N#-6FR (6FJ)	358	358	140	32.3	39.3	38.7	126	16
	1"	150	13D1VB84N#-8AR (8AJ)	293	293	110	13.2	15.2	19.6	126	11
	1"	300	13D1VB84N#-8BR (8BJ)	306	314	125	16.4	18.4	22.8	126	12
	1"	600	13D1VB84N#-8CR (8CJ)	321	321	125	18.0	25	24.4	126	12
	1"	900/1500	13D1VB84N#-8ER (8EJ)	360	360	150	29.1	36.1	35.5	126	16
	1"	2500	13D1VB84N#-8FR (8FJ)	372	372	160	35.5	42.5	41.9	126	19
	1 1/2"	150	13D1VB84N#-12AR (12AJ)	300	300	125	16.4	18.4	22.8	126	12
	1 1/2"	300	13D1VB84N#-12BR (12BJ)	322	332	155	19.6	21.6	26.0	126	15
	1 1/2"	600	13D1VB84N#-12CR (12CJ)	338	338	155	22.8	29.8	29.2	126	16
	1 1/2"	900/1500	13D1VB84N#-12ER (12EJ)	374	374	180	32.3	39.3	38.7	161	22
	1 1/2"	2500	13D1VB84N#-12FR (12FJ)	397	397	205	45.0	52	52.9	161	31
2"	150	13D1VB84N#-16AR (16AJ)	301	301	150	18.0	20	24.4	126	14	
2"	300	13D1VB84N#-16BR (16BJ)	282	302	165	21.2	23.2	29.1	126	15	
2"	600	13D1VB84N#-16CR (16CJ)	311	311	165	25.9	32.9	33.8	126	17	
2"	900/1500	13D1VB84N#-16ER (16EJ)	337	337	215	38.6	45.6	46.5	161	29	
2"	2500	13D1VB84N#-16FR (16FJ)	362	362	235	51.4	58.4	59.3	161	40	

V Series Flange x Screw Product Type (cont'd)

19MM V SERIES THREE PIECE RF/RTJ FLANGE X 1/2" NPT FEMALE

	Size	Rating	Valve Part No.	A RF (mm)	A RTJ (mm)	ØB (mm)	C (mm)	D RF (mm)	D RTJ (mm)	E (mm)	Nominal weight
Metric / mm	3/4"	150	19DV4B8N#-4AR (4AJ)	304	N/A	100	11.7	13.7	N/A	134	11
	3/4"	300	19DV4B8N#-6BR (6BJ)	332	332	115	14.8	16.8	21.2	134	12
	3/4"	600	19DVB84N#-6CR (6CJ)	334	334	115	16.4	23.4	22.8	134	12
	3/4"	900/1500	19DVB84N#-6ER (6EJ)	366	366	130	25.9	32.9	32.3	134	15
	3/4"	2500	19DVB84N#-6FR (6FJ)	366	359	140	32.3	39.3	38.7	169	17
	1"	150	19DVB84N#-8AR (8AJ)	308	318	110	13.2	15.2	19.6	134	11
	1"	300	19DVB84N#-8BR (8BJ)	324	332	125	16.4	18.4	22.8	169	13
	1"	600	19DVB84N#-8CR (8CJ)	330	330	125	18.0	25.0	24.4	169	13
	1"	900/1500	19DVB84N#-8ER (8EJ)	386	386	150	29.1	36.1	35.5	169	18
	1"	2500	19DVB84N#-8FR (8FJ)	394	394	160	35.5	42.5	41.9	169	20
	1 1/2"	150	19DVB84N#-12AR (12AJ)	334	334	125	16.4	18.4	22.8	134	13
	1 1/2"	300	19DVB84N#-12BR (12BJ)	334	334	155	19.6	21.6	26.0	169	16
	1 1/2"	600	19DVB84N#-12CR (12CJ)	338	338	155	22.8	29.8	29.2	169	16
	1 1/2"	900/1500	19DVB84N#-12ER (12EJ)	386	398	180	32.3	39.3	38.7	169	22
	1 1/2"	2500	19DVB84N#-12FR (12FJ)	352	362	205	45.0	52.0	52.9	204	30
	2"	150	19DV84N#-16AR (16AJ)	285	294	150	18.0	20.0	24.4	169	14
	2"	300	19DVB84N#-16BR (16BJ)	292	304	165	21.2	23.2	29.1	169	16
	2"	600	19DVB84N#-16CR (16CJ)	312	314	165	25.9	32.9	33.8	169	18
	2"	900/1500	19DVB84N#-16ER (16EJ)	336	339	215	38.6	45.6	46.5	204	30
	2"	2500	19DVB84N#-16FR (16FJ)	366	362	235	51.4	58.4	59.3	204	41

25MM V SERIES THREE PIECE RF/RTJ FLANGE X 1/2" NPT FEMALE

	Size	Rating	Valve Part No.	A RF (mm)	A RTJ (mm)	ØB (mm)	C (mm)	D RF (mm)	D RTJ (mm)	E (mm)	Nominal weight
Metric / mm	1"	150	25DVB84N#-8AR (8ARJ)	296	306	110	13.2	15.2	19.6	143	12
	1"	300	25DVB84N#-8BR (8BRJ)	316	316	125	16.4	18.4	22.8	143	13
	1"	600	25DVB84N#-8CR (8CRJ)	324	324	125	18.0	25.0	24.4	143	14
	1"	900/1500	25DVB84N#-8ER (8ERJ)	356	356	150	29.1	36.1	35.5	147	18
	1"	2500	25DVB84N#-8FR (8FRJ)	396	396	160	35.5	42.5	41.9	147	25
	1 1/2"	150	25DVB84N#-12AR (12ARJ)	300	310	125	16.4	18.4	22.8	143	14
	1 1/2"	300	25DVB84N#-12BR (12BRJ)	335	335	155	19.6	21.6	26.0	143	16
	1 1/2"	600	25DVB84N#-12CR (12CRJ)	351	351	155	22.8	29.8	29.2	143	17
	1 1/2"	900/1500	25DVB84N#-12ER (12ERJ)	386	386	180	32.3	39.3	38.7	147	22
	1 1/2"	2500	25DVB84N#-12FR (12FRJ)	452	440	205	45.0	52.0	52.9	147	36
	2"	150	25DV84N#-16AR (16ARJ)	292	302	150	18.0	20.0	24.4	143	15
	2"	300	25DVB84N#-16BR (16BRJ)	284	296	165	21.2	23.2	29.1	143	17
	2"	600	25DVB84N#-16CR (16CRJ)	296	300	165	25.9	32.9	33.8	143	19
	2"	900/1500	25DVB84N#-16ER (16ERJ)	351	354	215	38.6	45.6	46.5	147	23
	2"	2500	25DVB84N#-16FR (16FRJ)	382	383	235	51.4	58.4	59.3	197	46

V Series Flange x Screw Product Type (cont'd)

38MM V SERIES THREE PIECE RF/RTJ FLANGE X 1/2" NPT FEMALE

	Size	Rating	Valve Part No.	A RF (mm)	A RTJ (mm)	ØB (mm)	C (mm)	D RF (mm)	D RTJ (mm)	E (mm)	Nominal weight
Metric / mm	1 1/2"	150	38DDV4N#-12AR (12ARJ)	347	357	125	16.4	18.4	22.8	120	36.1
	1 1/2"	300	38DDV4N#-12BR (12BRJ)	377	387	155	19.6	21.6	26.0	120	39.2
	1 1/2"	600	38DDV4N#-12CR (12CRJ)	397	398	155	22.8	29.8	29.2	120	40.1
	1 1/2"	900/1500	38DDV4N#-12ER (12ERJ)	415	415	180	32.3	39.3	38.7	120	45.9
	1 1/2"	2500	38DDV4N#-12FR (12FRJ)	501	504	205	45.0	52.0	52.9	120	92.0
	2"	150	38DDV4N#-16AR (16ARJ)	363	373	150	18.0	20.0	24.4	120	39.0
	2"	300	38DDV4N#-16BR (16BRJ)	381	395	165	21.2	23.2	29.1	120	41.3
	2"	600	38DDV4N#-16CR (16CRJ)	397	400	165	25.9	32.9	33.8	120	42.6
	2"	900/1500	38DDV4N#-16ER (16ERJ)	445	450	215	38.6	45.6	46.5	148	57.0
	2"	2500	38DDV4N#-16FR (16FRJ)	514	518	235	51.4	58.4	59.3	148	92.1

50MM V SERIES THREE PIECE RF/RTJ FLANGE X 1/2" NPT FEMALE

	Size	Rating	Valve Part No.	A RF (mm)	A RTJ (mm)	ØB (mm)	C (mm)	D RF (mm)	D RTJ (mm)	E (mm)	Nominal weight
Metric / mm	2"	150	50DDV4N#-16AR (16ARJ)	340	349	150	18.0	20.0	24.4	120	43
	2"	300	50DDV4N#-16BR (16BRJ)	350	356	165	21.2	23.2	29.1	120	44
	2"	600	50DDV4N#-16CR (16CRJ)	366	369	165	25.9	32.9	33.8	120	47
	2"	900/1500	50DDV4N#-16ER (16ERJ)	516	519	215	38.6	45.6	46.5	148	97
	2"	2500	50DDV4N#-16FR (16FRJ)	543	551	235	51.4	58.4	59.3	148	108