

# EC Series Check Valve

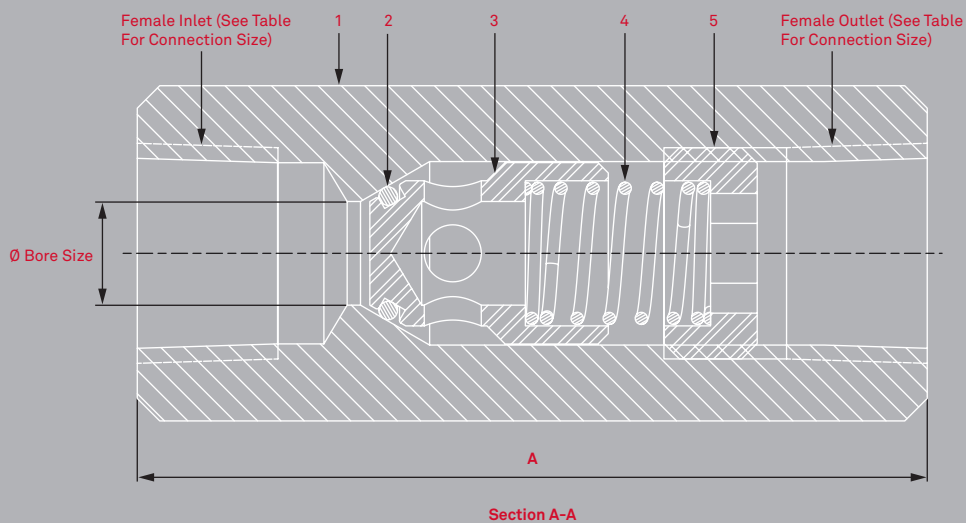
## Overview

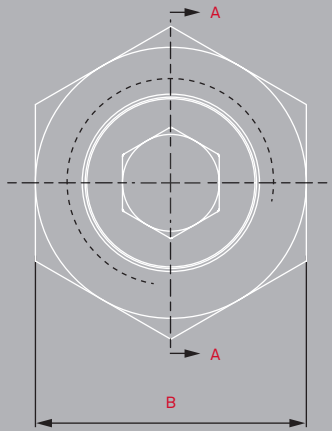
### Check Valves 10,000 PSI

The Alco Valves Non Return Valve, designed for prevention of back flow in high pressure systems. Having a soft primary seat means it is suitable for gases or liquids. Altogether a very compact unit, suitable for many arduous duties.

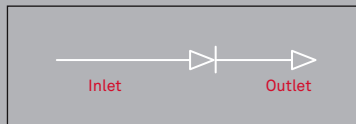
## Design Features

- Primary soft seal for bubble tight close, with secondary metal-to-metal seal as standard
- Available in 316/316L
- Close tolerance guided spring and piston to prevent grabbing or seizure
- Repair/service kits available to extend service life further
- Temperature range -40°C to 150°C
- Full material traceability
- Materials of construction supplied to meet the requirements of NACE MR 0175





Flow Diagram



Components Key

Item No.	Description	Material	Quantity
1	VALVE BODY	A479 UNS S31600	1
2	O-RING	HNBR 90	1
3	PISTON	A479 UNS S31600	1
4	SPRING	UNS S30200	1
5	INSERT	A479 UNS S31600	1

Dimensions shown are in metric mm

Part no.	Connection size	A	B	Bore	Cracking pressure	CV	Weight
EC2NS	1/4" NPT	59	22	5	6 psi ± 25%	0.53	0.16 Kg
EC3NS	3/8" NPT	64	22	8	6 psi ± 25%	0.97	0.15 Kg
EC4NS	1/2" NPT	76	28	10	15 psi ± 25%	1.78	0.30 Kg
EC6NS	3/4" NPT	85	35	10	15 psi ± 25%	1.78	0.53 Kg
EC8NS	1" NPT	95	45	10	15 psi ± 25%	1.78	1.0 Kg